

# ToughLED™ Pro Microwave on/off sensor and remote control

## WARNINGS AND CAUTIONS

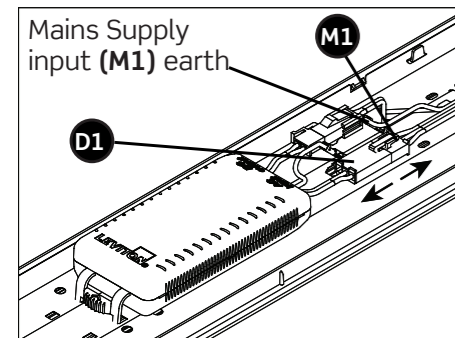
- To be installed in accordance with the local current wiring regulations and standards
- To avoid electric shock, serious injury or property damage, isolate power before installing, removing or servicing the product
- It is recommended that this product is installed by an electrician or a competent person with sufficient experience to install this product
- Any broken or damaged parts should be replaced as soon as possible.
- JCC will not accept responsibility for claims arising from sub-standard installations; which will void the warranty
- Read instructions and check that you have all of the tools and accessories to complete the installation correctly. Isolate power supply before starting the installation.

## INSTALLATION INSTRUCTIONS

ENGLISH

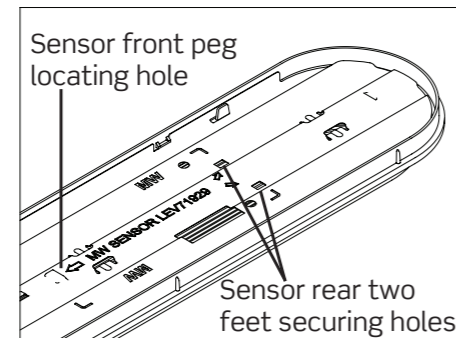
### Installation instructions to connect sensor to standard fitting

Fig.1.



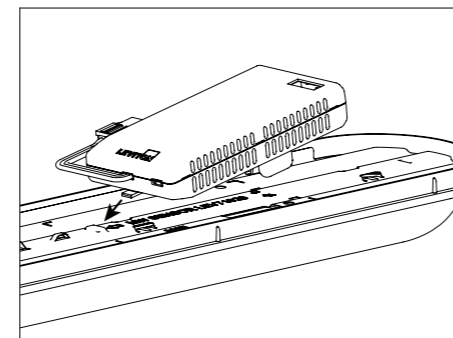
Open the fitting by releasing the clips on the body to access the gear tray. Disconnect the mains input “plug and play” connector (M1) from the driver connector (D1) and disconnect the earth lead on the mains input (M1) from the tray (Fig.1.)

Fig.2.



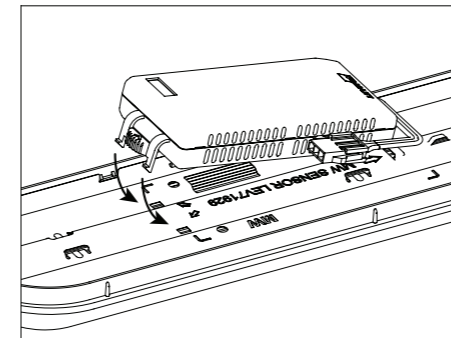
Locate the sensor position on the gear tray (Fig.2.) The sensor has been designed to clip directly to the gear tray. It will only fit in one way.

Fig.3.



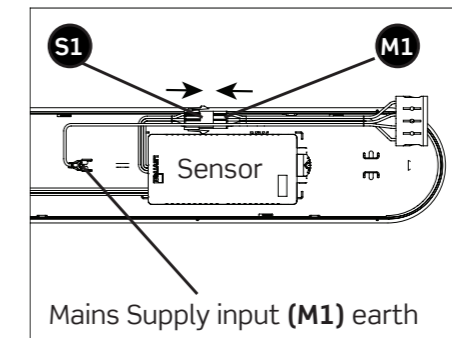
Push the sensor front locating peg into the gear tray as indicated in the illustration above (Fig.3.) until secure.

Fig.4.



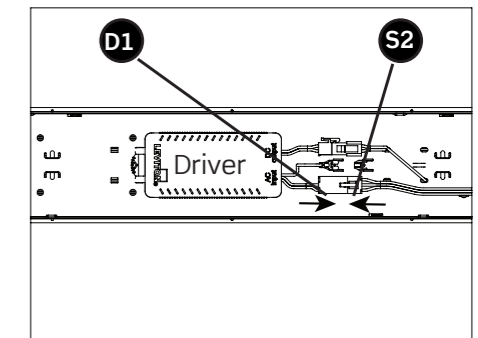
Then lay the sensor down onto the gear tray. Clip into place with the rear two feet on the opposite end of the sensor (Fig.4.)

Fig.5.



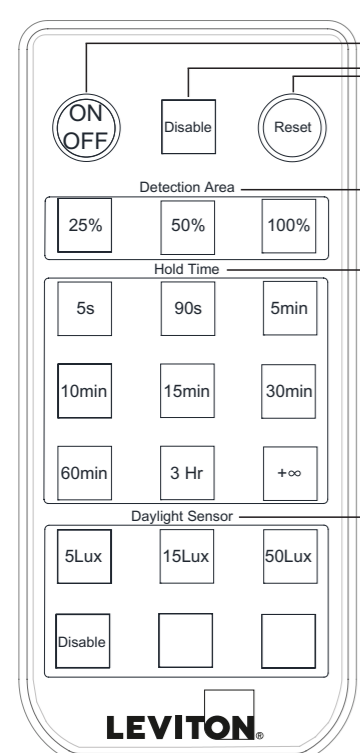
Connect the mains input connector (M1) to the mains input connector on the sensor (S1) and re-connect the earth lead on the mains input (M1) onto the tray adjacent to the sensor. (Fig.5.)

Fig.6.



Then connect the sensor mains output connector (S2) to the driver mains input (D1) (Fig.6.)

### Microwave on/off Sensor operation (Remote Control)



#### ON/OFF button

OFF mode: Turns the light off.  
ON mode: Turns the light on, sensor starts work and the settings go to the last program setting.

#### Disable button

Disable mode: Turns off the sensor, light becomes a standard fitting. To reset, press ON/OFF button or switch off/on using wall switch

#### Reset button

Reset mode: Press once to reset the sensor back to DIP switch settings

#### Detection Area

Set up detection area: 25%/ 50%/ 100%

#### Hold Time

Set up hold time: 5sec/90sec/5min/10min/15min or 30min/60min/3Hr/+∞(infinity)

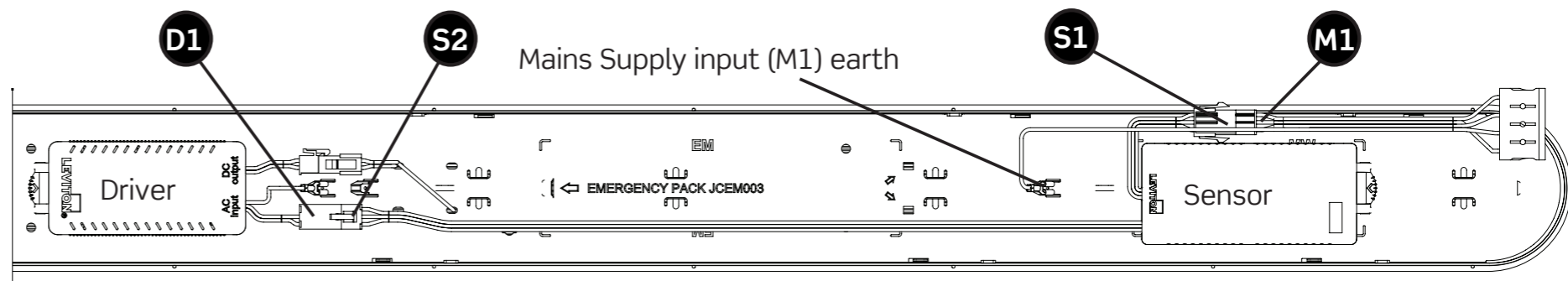
Refers to the time period the luminaire remains at 100% illumination after no motion detected

#### Daylight Sensor

Set up daylight threshold: 5lux/15lux/50lux/disable  
When set to 'Disable' mode, the sensor will switch on the luminaire when motion is detected regardless of ambient light levels. The daylight sensor will only operate when the luminaire is off.

Remote control Battery: CR2025L(3V Lithium) supplied

Ensure any excess cables are secured into the body using the cable restraint clips in the body, this will ensure that they do not get trapped when refitting the gear tray to the body. Install the fitting using the product instructions for reference, then check for correct operation.



### Microwave on/off Sensor operation (dip settings)

Sensor can be set using DIP switches.

Note: reducing the detection area will also reduce sensitivity

1. Detection area	
I: Up to 6m	ON ON 100%
II: Up to 4.5m	ON - 75%
III: Up to 3m	- ON 50%
IV: Up to 1.5m	- - 25%

2. Hold time	
I: 5 seconds	ON ON 5s
II: 90 seconds	ON - 90s
III: 5 minutes	- ON 5 min
IV: 15 minutes	- - 15 min

5. Daylight Sensor	
I: Disable	ON ON Disable
II: 5 Lux (Dark)	ON - 5 Lux
III: 15 lux (Twilight)	- ON 15 Lux
IV: 50 lux (Twilight)	- - 50 Lux

Select required settings on the sensor dip switches:

(factory default settings are: Detection area: 100%, Hold time: 5 secs, Daylight Sensor: Disabled)

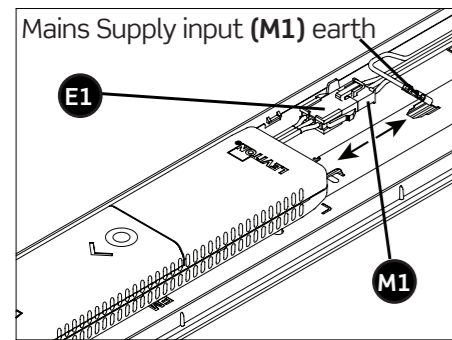
Or alternatively you can use the Remote control LEV71930 (purchased separately) to adjust the sensor settings once installed and in operation.

## INSTALLATION INSTRUCTIONS

ENGLISH

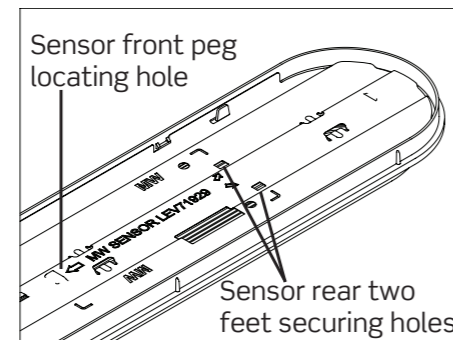
### Installation instructions to connect sensor to emergency fitting

Fig.1.



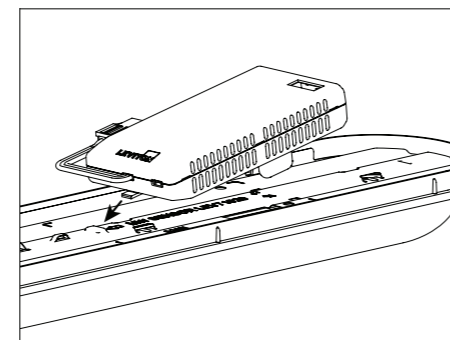
Open the fitting by releasing the clips on the body to access the gear tray. Disconnect the mains input "plug and play" connector (M1) from the emergency pack connector (E1). Do not disconnect the earth lead on the mains input (M1) from the tray (Fig.1.)

Fig.2.



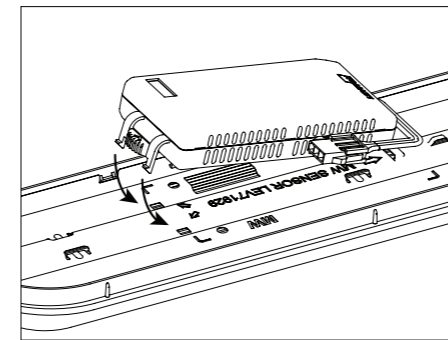
Locate the sensor position on the gear tray (Fig.2.) The sensor has been designed to clip directly to the gear tray. It will only fit in one way.

Fig.3.



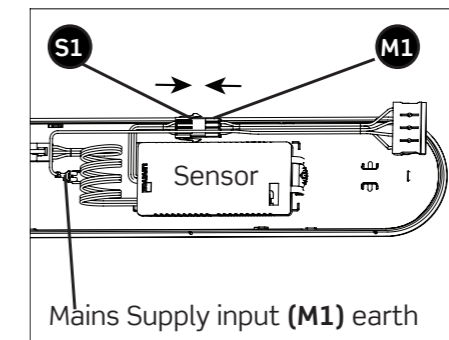
Push the sensor front locating peg into the gear tray as indicated in the illustration above (Fig.3.) until secure.

Fig.4.



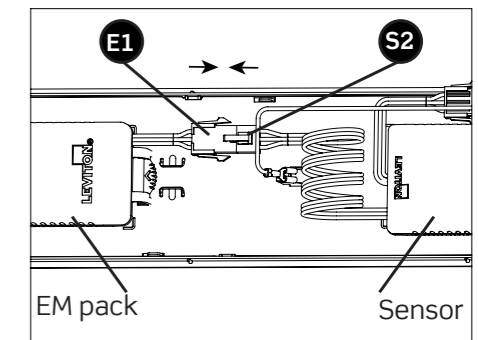
Then lay the sensor down onto the gear tray. Clip into place with the rear two feet on the opposite end of the sensor (Fig.4.)

Fig.5.



Connect the mains input connector (M1) to the mains input connector on the emergency pack (E1). Ensure that the mains supply input (M1) earth lead is secured on the tray adjacent to the sensor (Fig.5.)

Fig.6.



Then coil up and secure the excess cable on the sensor mains output connector (S2) and connect to the emergency pack mains input (E1) (Fig.6.)

### Microwave on/off Sensor operation (Remote Control)

**ON/OFF button**  
OFF mode: Turns the light off.  
ON mode: Turns the light on, sensor starts work and the settings go to the last program setting.

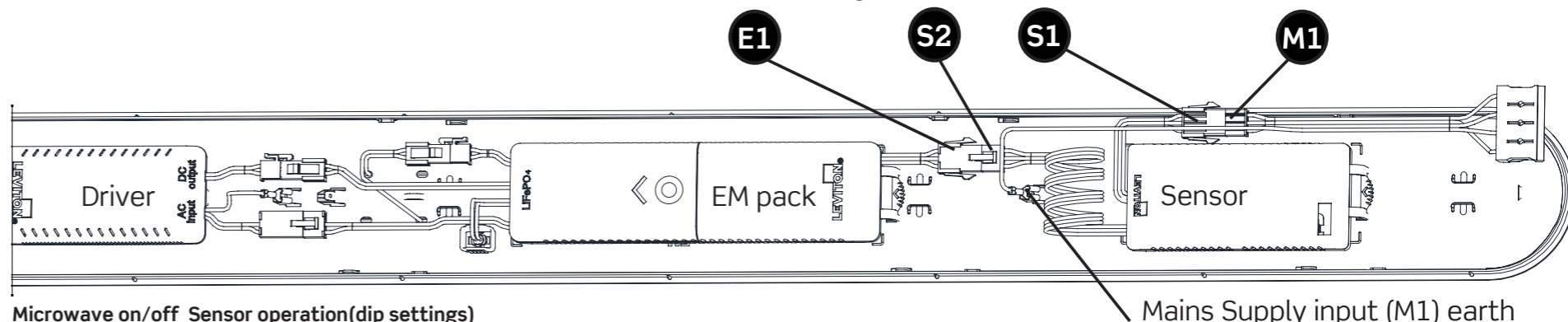
**Disable button**  
Disable mode: Turns off the sensor, light becomes a standard fitting. To reset, press ON/OFF button or switch off/on using wall switch

**Reset button**  
Reset mode: Press once to reset the sensor back to DIP switch settings

**Detection Area**  
Set up detection area: 25%/ 50%/ 100%

**Hold Time**  
Set up hold time: 5sec/90sec/5min/10min/15min or 30min/60min/3Hr/+∞(infinity)  
Refers to the time period the luminaire remains at 100% illumination after no motion detected

**Daylight Sensor**  
Set up daylight threshold: 5lux/15lux/50lux/disable  
When set to 'Disable' mode, the sensor will switch on the luminaire when motion is detected regardless of ambient light levels. The daylight sensor will only operate when the luminaire is off.  
Remote control Battery: CR2025L(3V Lithium) supplied



### Microwave on/off Sensor operation (dip settings)

Sensor can be set using DIP switches.  
Note: reducing the detection area will also reduce sensitivity

**1. Detection area**

I: Up to 6m	ON	I	2	
II: Up to 4.5m	ON	ON	100%	
III: Up to 3m	-	ON	75%	
IV: Up to 1.5m	-	-	50%	
		IV	-	25%

**2. Hold time**

I: 5 seconds	ON	3	4	
II: 90 seconds	ON	ON	5s	
III: 5 minutes	-	ON	90s	
IV: 15 minutes	-	-	5 min	
		IV	-	15 min

Refers to the time period the luminaire remains at 100% illumination after no motion detected

**5. Daylight Sensor**

I: Disable	ON	5	6	
II: 5 Lux (Dark)	ON	ON	Disable	
III: 15 Lux (Twilight)	ON	-	5 Lux	
IV: 50 lux (Twilight)	-	ON	15 Lux	
	-	-	50 Lux	

When set to 'Disable' mode, the sensor will switch on the luminaire when motion is detected regardless of ambient light levels. The daylight sensor will only operate when the luminaire is off.

Select required settings on the sensor dip switches:  
(factory default settings are: Detection area: 100%, Hold time: 5 secs, Daylight Sensor: Disabled)

Or alternatively you can use the Remote control LEV71930 (purchased separately) to adjust the sensor settings once installed and in operation.

**Ensure any excess cables are secured into the body using the cable restraint clips in the body, this will ensure that they do not get trapped when refitting the gear tray to the body. Install the fitting using the product instructions for reference, then check for correct operation.**

For use with ToughLED™ Pro fittings only

### Important warranty information

This product is supported by a 2-year standard warranty which will extend to 5-years if registered within the first year of purchase. Please register at [jcc.co.uk/warranty](http://jcc.co.uk/warranty) (Terms and conditions apply).

The installer will be asked to provide the following information, which is detailed on a label attached to the luminaire's chassis: Product Code/Date Code.

ISO9001 - 2015 - Registered Firm Certificate No. GB 1552  
JCC Lighting Products Ltd. Lux Park, Chichester Business Park, City Fields Way, Tangmere, Chichester, West Sussex, PO20 2FT  
Technical Support: +44(0)1243 838986 Customer Services: +44(0)1243 838999

UK CA CE IP20 RoHS Compliant **jcc.co.uk**